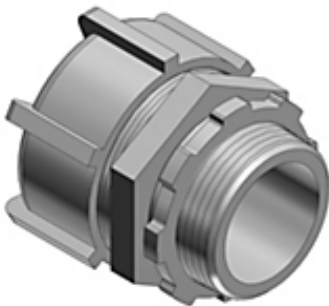




Actual



Representative

Catalog Number: 5237
Product ID: 7TAD012150R0001
UPC Number: 78621005237
EAN Number: 05414363142782
Status: Active

Liquidtight Conduit Fitting, Straight 2 Inch, Non-Insulated Malleable Iron

- Ability to install quickly with low torque effort
- To positively bond conduit to box or enclosure.

North American Specifications (UNSPSC)

UNSPSC	39121420 Liquid tight connectors
IGCC	4585 Liquid tight connectors
Brand Name	T&B
Type	Connectors-Straight
Application	Used where flexible metal raceway is installed in outdoor or indoor locations where exposed to continuous or intermittent moisture.
Standard	UL E23018, CSA
Size	2 Inch
Material	Steel
Finish	Electro Zinc Plated/Chromate Coating

European Specifications (ETIM)

ETIM	EC001180 Screw connection for protective metallic hose
Nominal size in inch	2 inch
Model	Straight
Revolving thread	N
Construction type	External thread
Connection type screw connection to housing	Thread
Thread type	NPT
Thread connection size	Other
One-piece	N
Material housing	Other
Approved in combination with protective conduit CSA	Y
Approved in combination with protective conduit UL	Y

Packaging

Outer Quantity	5
Outer Dimensions (inches)	9.9x6.7x3.8
Weight Uom	152 lbs. per 100

Documents / Support Tools

Technical Drawing / Data Sheet	TDS000122
Technical Drawing / Data Sheet Canada	Available on Website
Catalog US	Available on Website

Header

3D Model	Available on Website
----------	----------------------

For further technical assistance, please contact us...

860 Ridge Lake Blvd.
Memphis, TN 38120
www.tnb.com

MS 3B-50
860 Ridge Lake Blvd.
Memphis, TN 38120

Monday-Friday
Phone: (888) 862-3289
Fax: (901) 252-1321
Email: techsupport@tnb.com